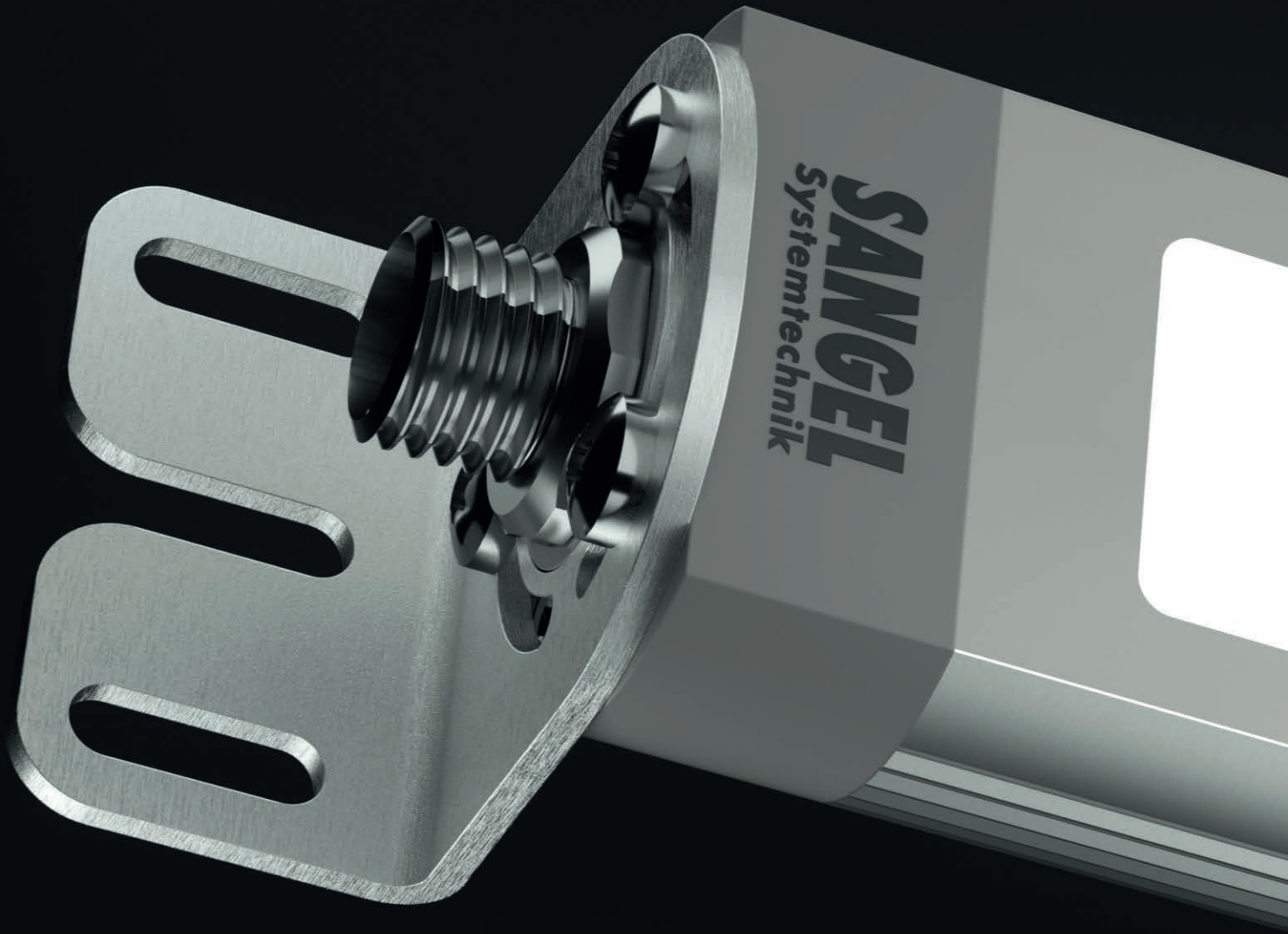


LED Aufbauleuchte LR40

LED surface mounted luminaire LR40



- 4.000K oder 5.700K Lichttemperatur
- 4 verschiedene Längen
- Drehbare Halterung
- Durchschleifbar
- Eco-Mode
- Abdeckung als PMMA oder ESG diffus
- Schutzart IP67

- 4.000K or 5.700K light temperature
- 4 different lengths
- Turnable mounting
- Loop through
- Eco-Mode
- PMMA or ESG diffuse cover
- Protection class IP67

LED Aufbauleuchte LR40

LED surface mounted luminaire LR40

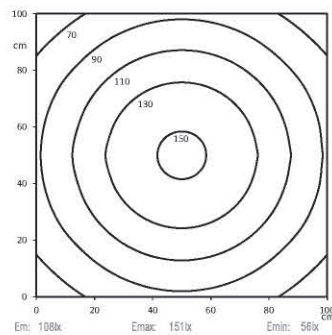


Lichtverteilung | Light distribution

Lichtpunkthöhe | Metering distance: 100cm

LED Aufbauleuchte LR40 190

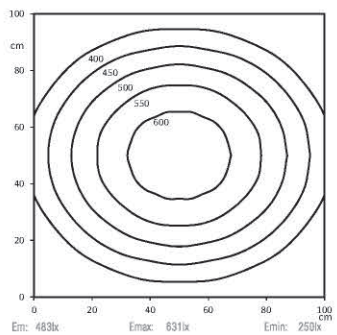
LED surface mounted luminaire LR40 190



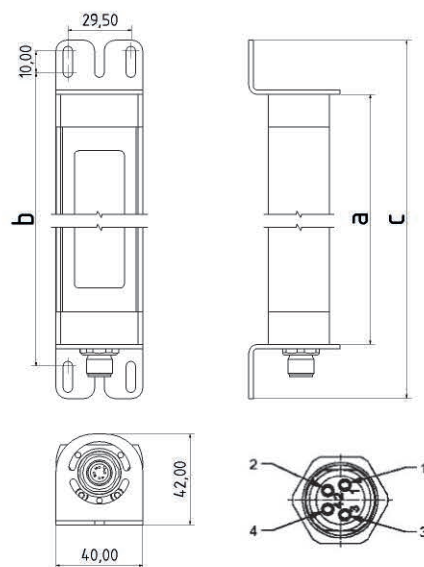
Lichtpunkthöhe | Metering distance: 100cm

LED Aufbauleuchte LR40 715

LED surface mounted luminaire LR40 715



Dimensionierung | Dimensions



Technische Daten | Technical data

Leistung:	5,18W, 10,39W, 15,6W, 20,88W
Power:	5,18W, 10,39W, 15,6W, 20,88W
Anschlusswert:	24V DC (-10%/+15%)
Connection value:	24V DC (-10%/+15%)
Anschlussart:	M12 Steckverbinder*
Connection type:	M12 connector*
Gehäuse:	Aluminium eloxiert
Housing:	anodized aluminium
Schutzart:	IP67
Protection rating:	IP67
Schutzklasse:	III
Protection class:	III
Abdeckung:	PMMA oder ESG diffus
Cover:	safety glass or PMMA
diffuse	
Farbtreue:	Ra / CRI ≥ 80
Color rendering:	Ra / CRI ≥ 80
Lebensdauer:	min. 60 000h
Durability:	min. 60 000h
Max. Umgebungstemperatur:	-20°C / +45°C
Max. ambient temperature:	-20°C / +45°C
Optik:	120° Ohne Optik
Optics:	120° without optics
Belegung:	1 = DC (+) br br
Pin assignment:	2 = Eco (DC+) ws wh
	3 = DC (-) bl bl
	4 = NC

Normen / Approbationen Standards / Approvals

DIN EN 55015 (EMV)
DIN EN 61547 (EMV)
DIN EN 60598-1
DIN EN 62471



Sangel-Bezeichnung Sangel description	Länge Length	Katalognr. Catalogue no.	Abdeckung Cover	Anschlussart Connection type	Lichttemperatur Color temperature	Leistung Power
LR40 190 D-DIFF-0-M12-55	a: 190mm b: 210mm c: 240mm	15070521	PMMA diffus PMMA diffuse	M12 Steckverbinder* M12 connector*	5.700K	5,18W
LR40 190 D-ESGd-0-M12-55	a: 190mm b: 210mm c: 240mm	15070522	ESGd diffus safety glass diffuse	M12 Steckverbinder* M12 connector*	5.700K	5,18W
LR40 190 D-DIFF-0-M12-40	a: 190mm b: 210mm c: 240mm	15070525	PMMA diffus PMMA diffuse	M12 Steckverbinder* M12 connector*	4.000K	5,18W
LR40 190 D-ESGd-0-M12-40	a: 190mm b: 210mm c: 240mm	15070526	ESGd diffus safety glass diffuse	M12 Steckverbinder* M12 connector*	4.000K	5,18W
LR40 365 D-DIFF-0-M12-55	a: 365mm b: 385mm c: 415mm	15070529	PMMA diffus PMMA diffuse	M12 Steckverbinder* M12 connector*	5.700K	10,39W
LR40 365 D-ESGd-0-M12-55	a: 365mm b: 385mm c: 415mm	15070530	ESGd diffus Safety glass diffuse	M12 Steckverbinder* M12 connector*	5.700K	10,39W
LR40 365 D-DIFF-0-M12-40	a: 365mm b: 385mm c: 415mm	15070533	PMMA diffus PMMA diffuse	M12 Steckverbinder* M12 connector*	4.000K	10,39W
LR40 365 D-ESGd-0-M12-40	a: 365mm b: 385mm c: 415mm	15070534	ESGd diffus Safety glass diffuse	M12 Steckverbinder* M12 connector*	4.000K	10,39W
LR40 540 D-DIFF-0-M12-55	a: 540mm b: 560mm c: 590mm	15070537	PMMA diffus PMMA diffuse	M12 Steckverbinder* M12 connector*	5.700K	15,6W
LR40 540 D-ESGd-0-M12-55	a: 540mm b: 560mm c: 590mm	15070538	ESGd diffus Safety glass diffuse	M12 Steckverbinder* M12 connector*	5.700K	15,6W
LR40 540 D-DIFF-0-M12-40	a: 540mm b: 560mm c: 590mm	15070541	PMMA diffus PMMA diffuse	M12 Steckverbinder* M12 connector*	4.000K	15,6W
LR40 540 D-ESGd-0-M12-40	a: 540mm b: 560mm c: 590mm	15070542	ESGd diffus Safety glass diffuse	M12 Steckverbinder* M12 connector*	4.000K	15,6W
LR40 715 D-DIFF-0-M12-55	a: 715mm b: 735mm c: 765mm	15070545	PMMA diffus PMMA diffuse	M12 Steckverbinder* M12 connector*	5.700K	20,88W
LR40 715 D-ESGd-0-M12-55	a: 715mm b: 735mm c: 765mm	15070546	ESGd diffus Safety glass diffuse	M12 Steckverbinder* M12 connector*	5.700K	20,88W
LR40 715 D-DIFF-0-M12-40	a: 715mm b: 735mm c: 765mm	15070549	PMMA diffus PMMA diffuse	M12 Steckverbinder* M12 connector*	4.000K	20,88W
LR40 715 D-ESGd-0-M12-40	a: 715mm b: 735mm c: 765mm	15070550	ESGd diffus Safety glass diffuse	M12 Steckverbinder* M12 connector*	4.000K	20,88W